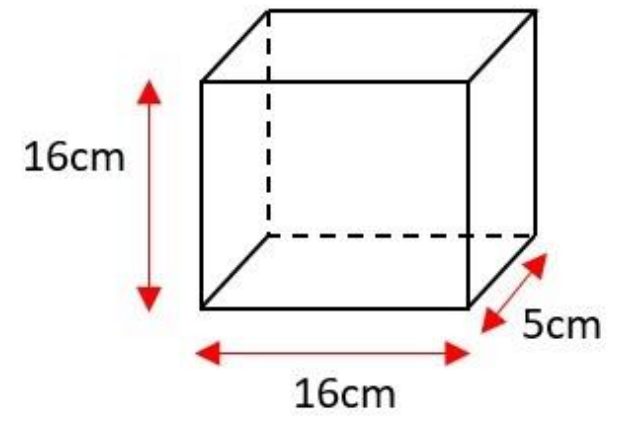


TUNNEL DIMENSION



OBSTACLE DIMENSION